

Installation and User Guide



ActivSoundBar

TP1866



Copyright Information

TP1866 Issue 01 © 2014 Promethean Limited. All rights reserved.

Promethean is owner of a number of trademarks in several jurisdictions across the world. The Promethean products documented in this guide include aspects which are protected under their respective patent, copyright, design copyright, registered design and trademark laws.

All other trademarks remain the property of their respective owners.

This guide is distributed online. It may only be reproduced for use within the institution in which the product is used. For use outside of your institution, no part of this guide may be reproduced, transmitted, stored in a retrieval system or translated into any other language without the prior permission of Promethean Limited.

Please note that the content in this guide is protected under copyright law. Although every care has been taken in the compilation of this guide, Promethean Limited accepts no responsibility for errors or omissions, or for damages resulting from the use of information contained within the following pages.

Contents

Welcome	5
Safety Information	5
Environmental Considerations	10
Features	10
Box Contents	10
You Will Need	12
Installation	12
Installation A - Attach ActivSoundBar to ActivBoard Touch	13
Installation B - Attach ActivSoundBar to Wall	15
Setup	17
Activating the Remote Control	17
Replacing the Battery	18
Connections	18





Contents

Controls and Indicators	19
Back Panel	19
Front Panel	20
Remote Control	21
Cleaning	22
Cleaning the Bezel and Remote Control	22
Troubleshooting	22
More Information	24
Technical Support	24
Promethean Planet	24
Compliance Statements	25
United States of America	25
Canada	25
EU	26

Welcome

Thank you for purchasing an ActivSoundBar from Promethean. The ActivSoundBar provides a powerful, high-quality sound solution for most classrooms. It is offered as an option for the Promethean ActivBoard Touch and can either be wall-mounted, or affixed directly to the top edge of the board.

Safety Information

WARNING:	To reduce the risk of fire or electric shock, do not expose this product to rain or moisture!		
	CAUTION Risk of electric shock do not open		
Caution:	To reduce the risk of electric shock, do not remove cover (or back). No user-serviceable parts inside. Refer servicing to qualified service personnel.		
	The lightning flash with arrow-head symbol, within an equilateral triangle, is intended to alert the user to the presence of "dangerous voltage" within the product's enclosure that may be sufficient to constitute a risk of electric shock to persons.	The exclamation point within a triangle is intended to alert the user to the presence of important operating and maintenance (servicing) instructions.	

The installation of this product should be completed by a Promethean Certified Installer. Use of components not supplied by Promethean or not meeting minimum specifications may impact performance and affect warranty. Contact your Promethean partner or visit www.prometheankb.com for more information.

Only use the interchangeable plug or adapter which is compatible with your mains outlet socket. If you are unsure of the electrical compatibility of your equipment, please contact Promethean or an authorised Promethean service agent before attempting to connect the unit to the mains supply.

The product does not contain any user serviceable parts and must not be opened. If you suspect that the ActivSoundBar is damaged or faulty, you should contact Promethean or an authorised Promethean service agent for advice.

Inspect the product for physical damage to the casing before use. If damage is apparent, take care to avoid contact with any potentially live parts.

The ActivSoundBar does not contain any user serviceable parts. You should not attempt, under any circumstances, to gain access to internal parts of the product.

This product is designed and manufactured to operate within defined design limits, and misuse may result in electric shock or fire. To prevent the product from being damaged, the following rules should be observed for the installation, use and maintenance of the product.

For Promethean Warranty Terms and Conditions, please visit:

www.PrometheanWorld.com/ActivCare

For online Technical Support for all Promethean Products, please visit:

www.PrometheanKB.com

Safety Information



Read the following safety instructions before operating the ActivSoundBar.



Keep these instructions in a safe place for future reference.

- To avoid the risk of electric shock or component damage, switch off the power before connecting other components to the ActivSoundBar.
- Unplug the power cord before cleaning the ActivSoundBar. Do not use a liquid or a spray cleaner for cleaning the product. Do not use abrasive cleaners.
- Always use accessories recommended by Promethean to ensure compatibility.
- When moving the ActivSoundBar from an area of low temperature to an area of high temperature, condensation may form on the housing. Do not turn on the ActivSoundBar immediately after this to avoid causing fire, electric shock or component damage.
- Do not place the ActivSoundBar on an unstable cart, stand, or table. If the ActivSoundBar falls, it can injure a person and cause serious damage to the appliance.
- Any heat source should maintain a distance of at least 5 feet (1.5m) away from the ActivSoundBar, i.e. radiator, heater, oven, amplifier etc.
- Do not install the product too close to anything that produces smoke or moisture. Operating the product close to smoke or moisture may cause fire or electric shock.
- Never push any object into the ventilation slots of the ActivSoundBar.
- Do not place any objects on the top of the product. It could short circuit parts causing a fire or electric shock. Never spill liquids on the ActivSoundBar.
- The ActivSoundBar should be operated only from the type of power source indicated on the label. If you are not sure of the type of power supplied, consult Technical Support or your local power company.
- Do not overload power strips and extension cords. Overloading can result in fire or electric shock.

- The wall socket should be installed near the equipment and should be easily accessible.
- Only the marked power source can be used for the product. Any power source other than the specified one may cause fire or electric shock.
- Do not touch the power cord during thunderstorms. To avoid electric shock, avoid handling the power cord during electrical storms.
- Unplug the ActivSoundBar during a lightning storm or when it will not be used for a long period of time. This will protect the unit from damage due to power surges.
- Do not attempt to repair or service the product yourself. Opening or removing the back cover may expose you to high voltages, the risk of electric shock, and other hazards. If repair is required, please contact Technical Support and refer all servicing to qualified service personnel.
- Keep the product away from moisture. Do not expose this appliance to rain or moisture. If water penetrates into the product, unplug the power cord and contact Technical Support. Continued use in this case may result in fire or electric shock.
- Do not use the product if any abnormality occurs. If any smoke or odour becomes apparent, unplug the power cord and contact Technical Support immediately. Do not try to repair the product yourself.
- Avoid using dropped or damaged appliances. If the product is dropped and the housing is damaged, the internal components may function abnormally. Unplug the power cord immediately and contact Technical Support for repair. Continued use of the product may cause fire or electric shock.
- Do not install the product in an area with heavy dust or high humidity. Operating the product in such environments may cause fire or electric shock.
- Hold the power connector when removing the power cable. Pulling the power cable itself may damage the wires inside the cable and cause fire or electric shock. To avoid risk of electric shock, do not touch the connector with wet hands.

Safety Information

	Warning!	Chemical Burn Hazard
---	-----------------	-----------------------------

This product contains a coin/button cell battery. If the coin/button cell battery is swallowed, it can cause severe internal burns in just two hours and can lead to death.

Insert the coin/button cell battery into the remote control in accordance with the instructions in this guide.

Risk of explosion if battery is replaced with incorrect type.

Incorrect polarity may cause damage or leakage of the battery, operating injury and contamination of the remote control.

Keep new and used batteries away from children and pets.

If the battery compartment does not close securely, stop using the remote control and keep it away from children.

If you think the battery might have been swallowed or placed inside any part of the body, seek immediate medical attention.

If any of the following occurs, please contact Technical Support:

- The power connector fails or frays.
- Liquid sprays, or any object drops, into the ActivSoundBar.
- The ActivSoundBar is exposed to rain or moisture.
- The ActivSoundBar is dropped or damaged in any way.
- The performance of the ActivSoundBar changes substantially.

Temperature:

- Operating: 5°C to +35°C
- Storage: 0°C to +60°C

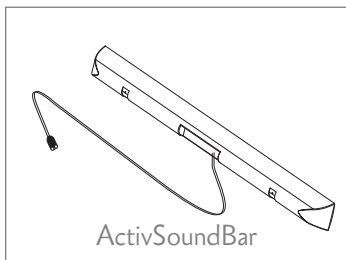
Relative Humidity (non condensing):

- Operating and Storage: 40% ~50%

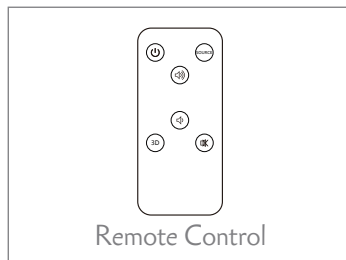
Features

- Built-in high-performance class D amplifier
- 3D surround sound effect
- Can be directly connected to your TV, DVD or other audio device
- Energy saving design
- Low power consumption
- Full-function remote control
- Wall mounting available
- Uses domestic 220V~240V 50~60Hz AC power

Box Contents

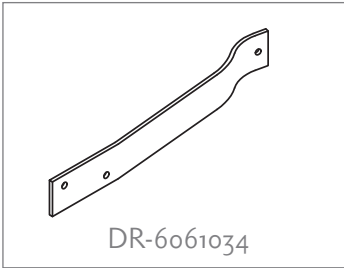


X1

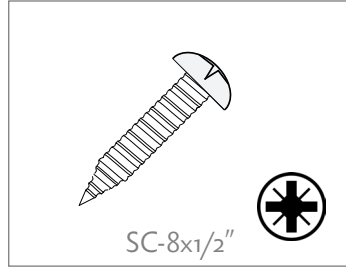


X1

Box Contents



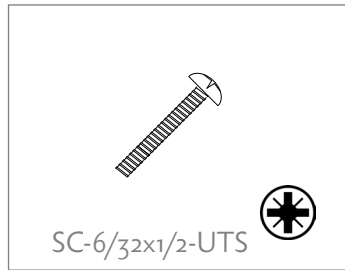
x2



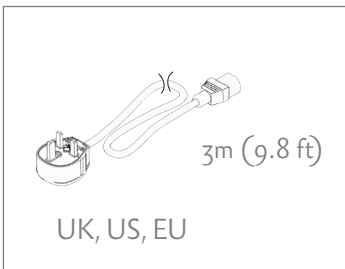
x4



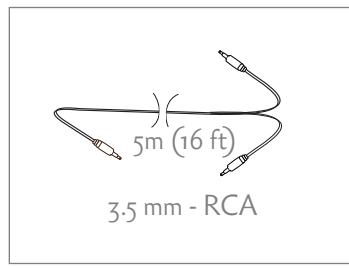
x2



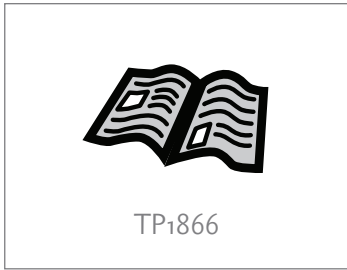
x2



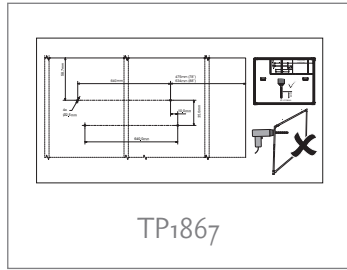
x1



x1

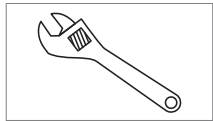
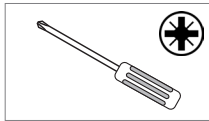
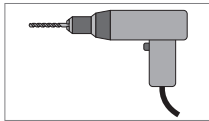
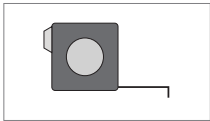


X1

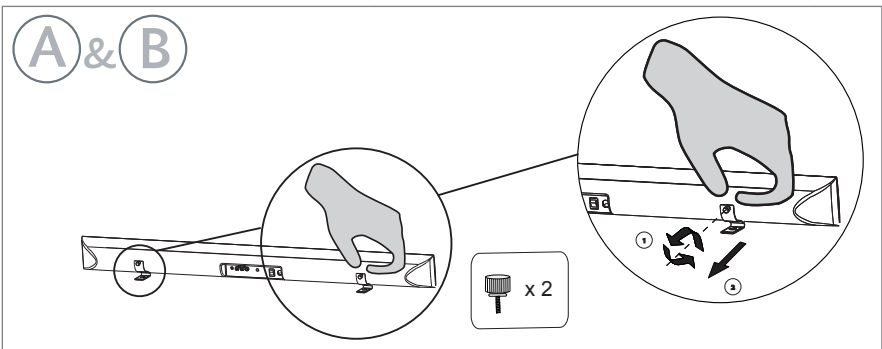
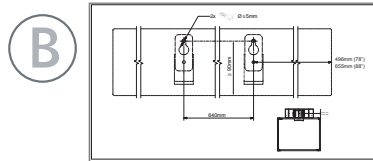
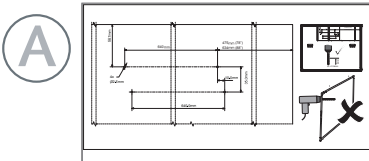


X1

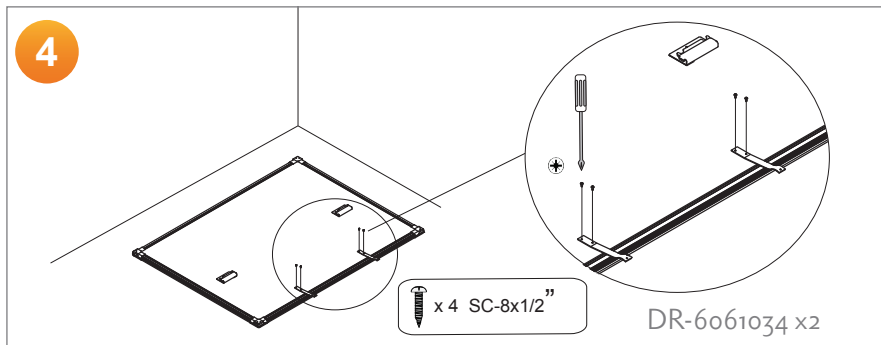
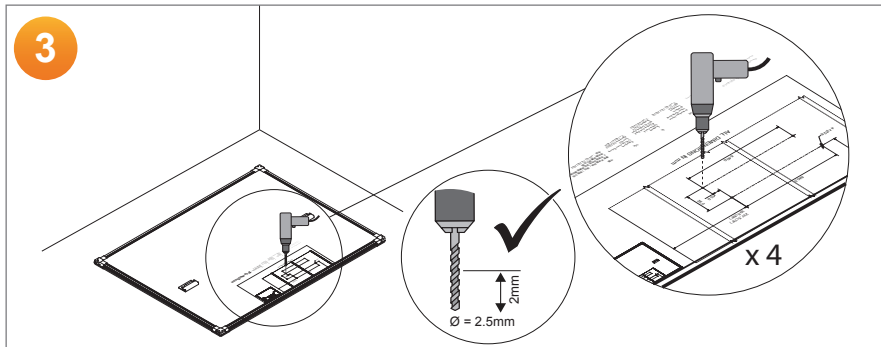
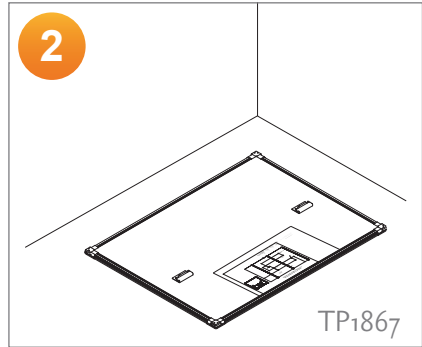
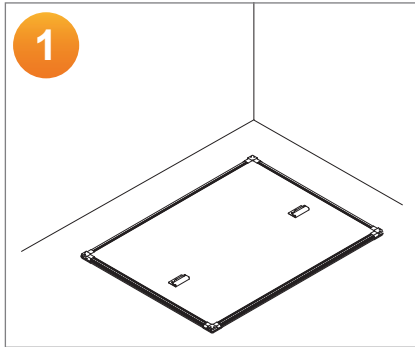
You Will Need

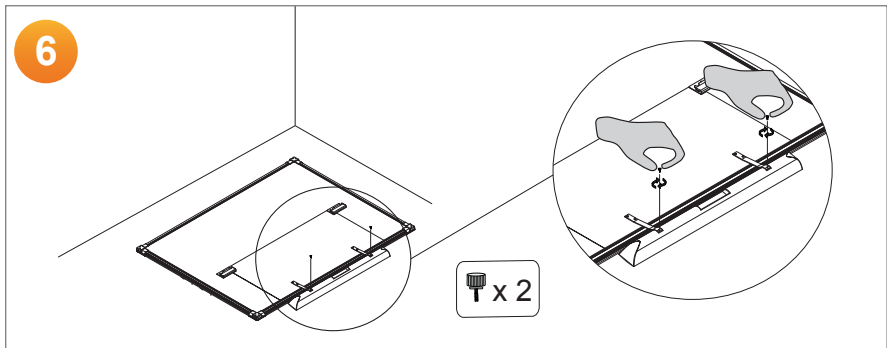
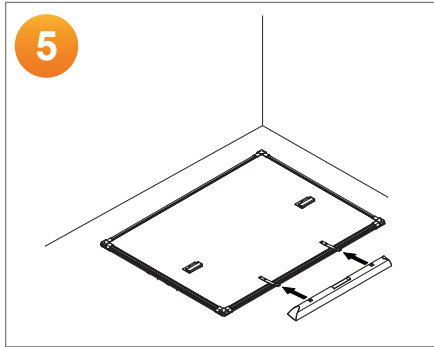


Installation



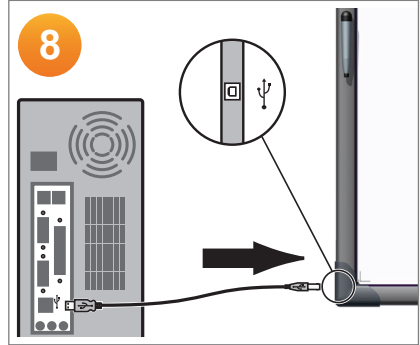
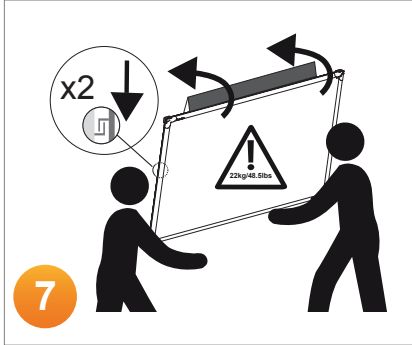
A



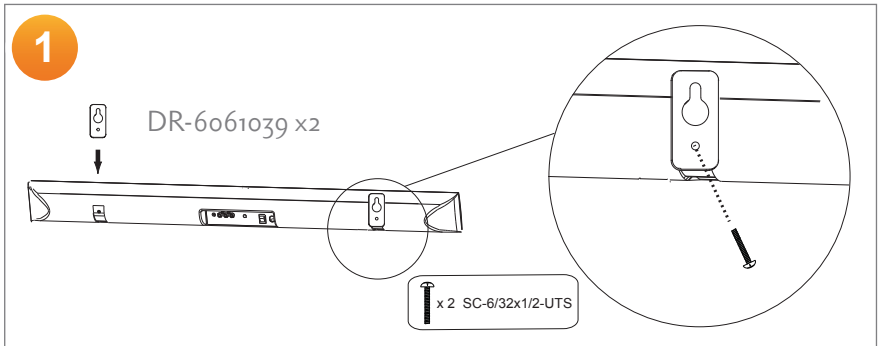


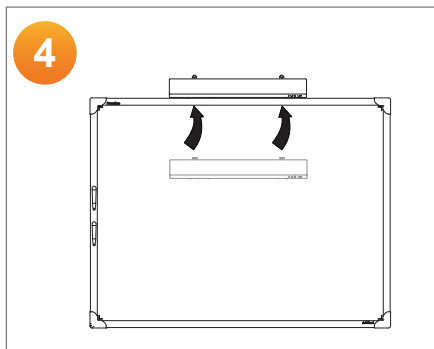
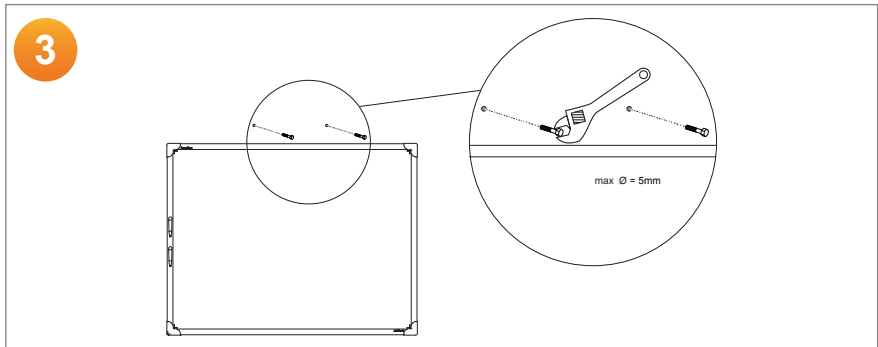
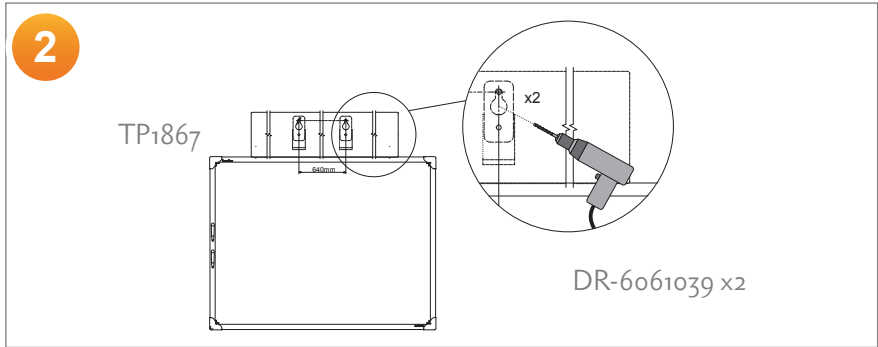
TP1865 ActivBoard Touch Installation and User Guide

Installation B



B







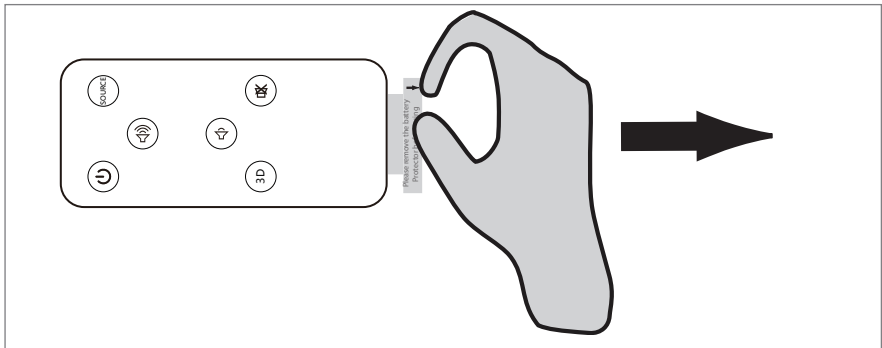
Please read the Safety Information at the start of this guide before you begin.



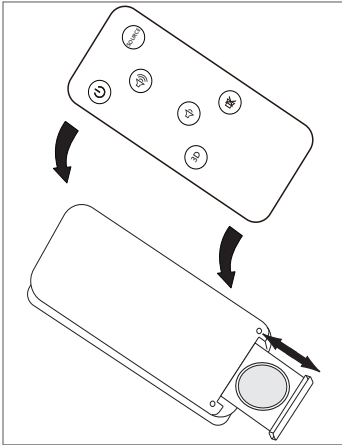
Also note:

- Inserting the battery incorrectly may result in cracking or leakage that may pose a fire risk or lead to personal injury.
- If the remote control is not used for a long time, remove the battery.
- Keep the remote control away from moisture, sunlight, and high temperatures.
- Dispose of the battery in accordance with local laws and regulations.

Activating the Remote Control



Replacing the Battery

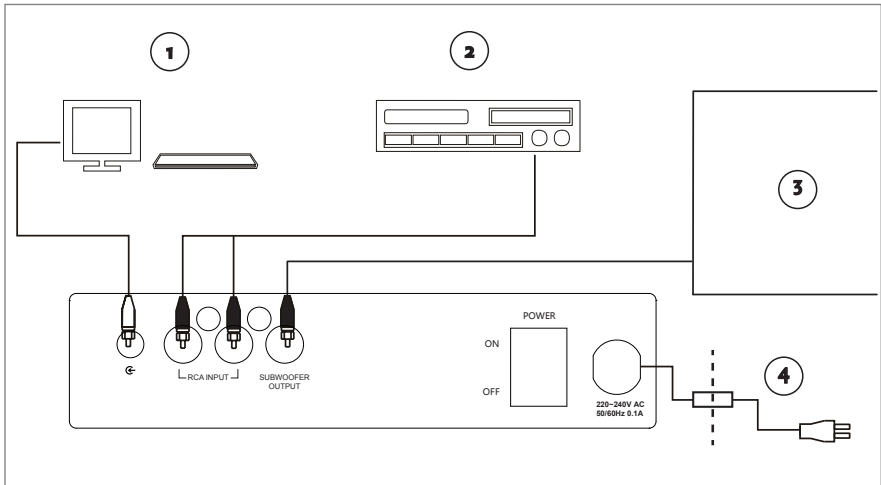


1. Open battery compartment and remove battery.
2. Insert one CR2025 lithium battery into the compartment.

Make sure that you match the (+) and (-) symbols on the battery with the (+) and (-) symbols inside the battery compartment.

3. Close the battery cover.

Connections

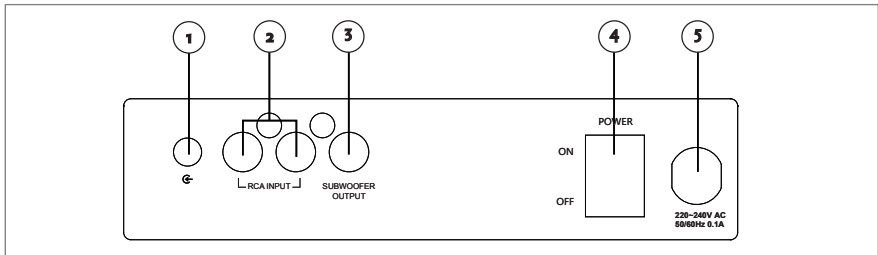


Setup

- 1 iPhone/Tablet/Smartphone (cable not included)
- 2 TV/DVD/CD
- 3 Subwoofer (not included)
- 4 Power Cable

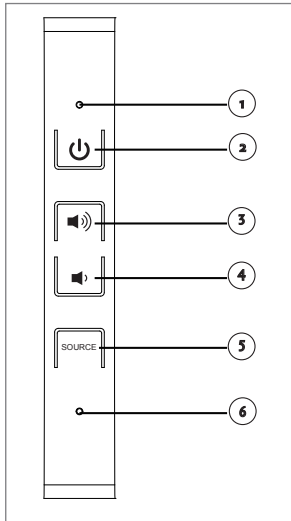
Controls and Indicators

Back Panel






- 1 Aux Input
- 2 RCA Input
- 3 Subwoofer Output
- 4 Power Switch
- 5 Power Connector

Front Panel



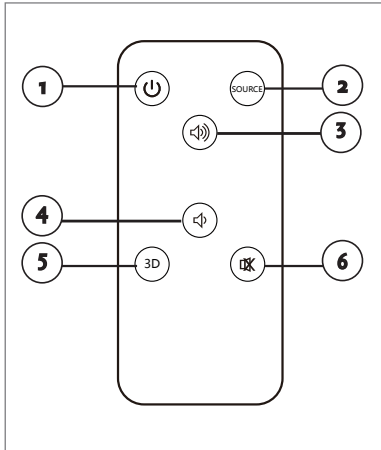
- ① LED
- ② Standby/Power On
- ③ Increase Volume
- ④ Decrease Volume
- ⑤ Select Sound Source
- ⑥ 3D Surround Indicator

Operation





- ②  Short press to power on/off ActivSoundBar.
- ③  Short press to increase volume.
Long press to increase volume continuously.
- ④  Short press to decrease volume.
Long press to decrease volume continuously.
- ⑤ **SOURCE** Short press to switch audio source.

Controls and Indicators

Remote Control



Operation

- 1  Short press to power on/off ActivSoundBar.
- 2 SOURCE Short press to switch audio source.
- 3  Short press to increase volume.
Long press to increase volume continuously.
- 4  Short press to decrease volume.
Long press to decrease volume continuously.
- 5 3D Short press to switch on/off 3D surround sound.
- 6  Short press to mute/unmute the sound.

Unplug the power cable from the socket before cleaning the ActivSoundBar.

Cleaning the Bezel and Remote Control

Do not use volatile solvents (such as alcohol, rosin, and toluene) to clean the ActivSoundBar. These types of chemicals might damage the housing.

Use a 100% cotton cloth or micro-fiber cloth for cleaning.

If the remote control or bezel is dirty to the point where you cannot simply dry wipe it, please **lightly dampen** the cleaning fabric with clean water and wipe it.

Use only lightly dampened fabric to avoid malfunction and possible permanent damage to electronic components.

Finally, wipe the ActivSoundBar dry with a dry micro-fiber cloth or 100% cotton cloth.

Troubleshooting

If your ActivSoundBar is not operating correctly, please check the following table before contacting Technical Support.

Problems	Solutions
No sound	<ul style="list-style-type: none"> • Try increasing the volume of the speaker. • Check that the ActivSoundBar is not turned off. • Check the ActivSoundBar volume level. • Make sure the correct input is selected. • Make sure the correct cables are properly connected.

Troubleshooting

Problems	Solutions
Remote Control does not work	<ul style="list-style-type: none">• Make sure the battery is correctly inserted.• Take the battery out, press the buttons once or twice, then reinsert the battery and try again.• If reinserting the battery has no effect, please replace the battery.
No power	<ul style="list-style-type: none">• Make sure the AC power cord is securely connected to the power connector.• Try another electrical device on the power outlet to ensure that there is an electrical current.
Speaker emits buzzing or humming sound	<ul style="list-style-type: none">• Make sure both ends of the audio cable are properly connected.• Test the sound bar with another audio cable.• Test the sound bar with another audio device.

Technical Support

For online support, self-help solutions and further support contact information, please visit the Promethean Knowledgebase at:

www.PrometheanKB.com

Promethean Planet

Promethean Planet is the fastest growing online community for interactive whiteboard users.

- Download over 80,000 FREE lesson resources.
- Download the latest ActivInspire software.
- View ActivTips, Teacher Features and access training materials.
- Connect with over 1.6 million teachers worldwide and share your ideas and advice.
- Find out about the latest research into teaching and learning from educational experts around the world.
- Access hundreds of publisher created resources in the Planet Store from publishers such as National Geographic, Dorling Kindersley and Scholastic.
- Join now for FREE! www.PrometheanPlanet.com

Compliance Statements

United States of America

NOTE: This equipment has been tested and found to comply with the limits for a Class B digital device, pursuant to Part 15 of the FCC Rules. These limits are designed to provide reasonable protection against harmful interference in a residential installation.

This equipment generates, uses and can radiate radio frequency energy and, if not installed and used in accordance with the instructions, may cause harmful interference to radio communications. However, there is no guarantee that interference will not occur in a particular installation. If this equipment does cause harmful interference to radio or television reception, which can be determined by turning the equipment off and on, the user is encouraged to try to correct the interference by one or more of the following measures:

- Reorient or relocate the receiving antenna.
- Increase the separation between the equipment and receiver.
- Connect the equipment into an output on a circuit different from that to which the receiver is connected.
- Consult the dealer or an experienced radio/TV technician for help.

Changes and Modifications not expressly approved by Promethean can void your authority to operate this equipment under Federal Communications Commissions rules.

Canada

This Class B digital apparatus complies with Canadian ICES-003.
Cet appareil numérique de la classe B est conforme à la norme NMB-003 du Canada.

EU

Products with the CE marking comply with both the EMC Directive (2004/108/EC) and the Low Voltage Directive (2006/95 EC) issued by the Commission of the European Community.

Please contact Promethean for a full copy of the EU Declaration of Conformity.

Waste Electrical and Electronic Equipment (WEEE)

For more information concerning the correct disposal of these products, please contact your Promethean reseller.



